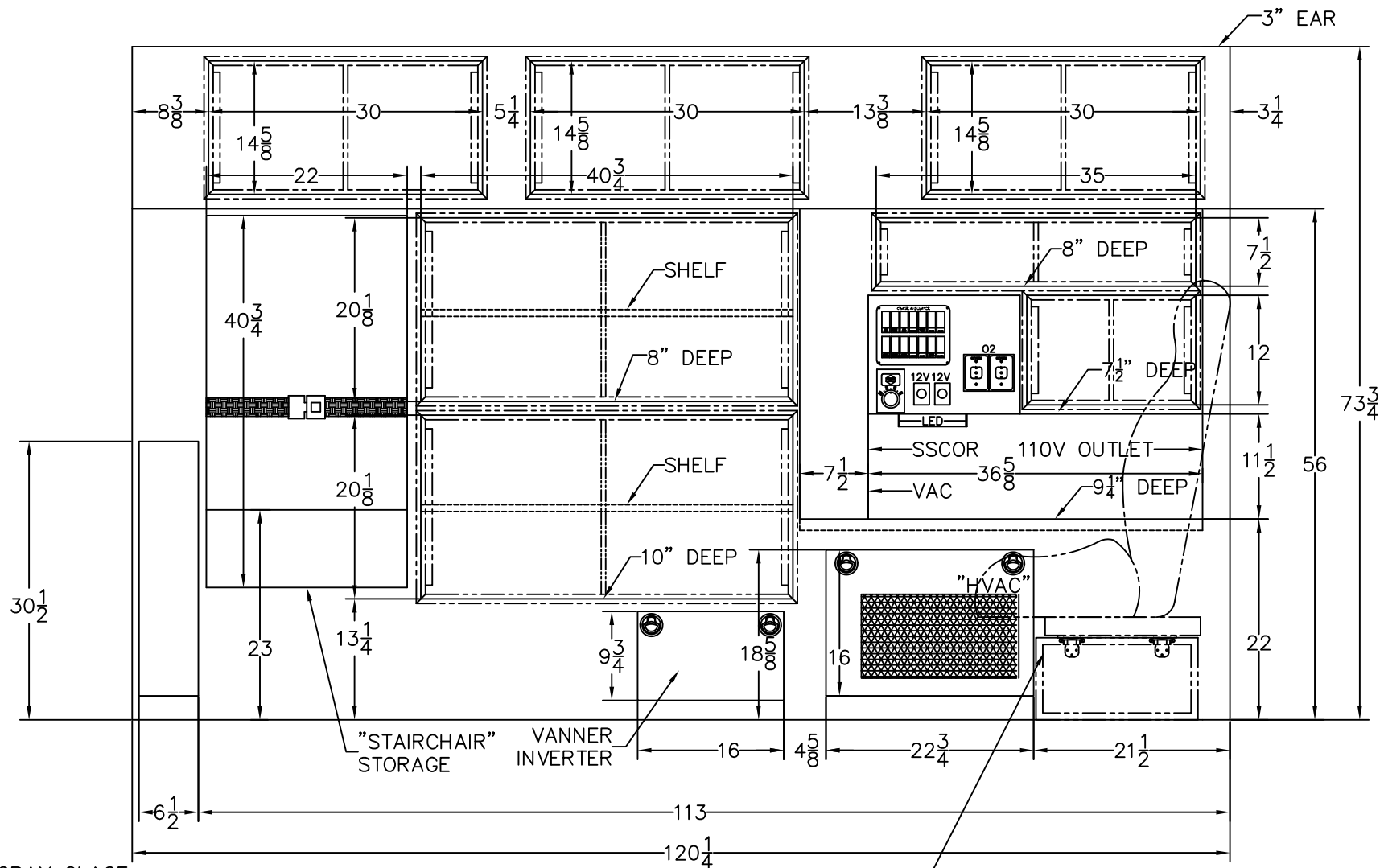


NOTES: THIS DRAWING IS NOT TO SCALE. CHARACTERISTICS AND DIMENSIONS OF FINISHED PRODUCT MAY VARY.

Stock/Job#:	7000/T380	Drawing# :	7000-100	Cust. App'v/Date :		Deal. App'v/Date :	
Dealer:	BULLDOG	Osage Industries, Inc. TWIN RIDGE ROAD P.O. BOX 718 LINN, MO. 65051					
End Customer:	DEMO						

3					NOTICE This drawing and/or the information hereon is the exclusive property of Osage Industries and shall not be reproduced, used or disclosed without the authorized written consent of Osage Industries.	Drawn By:	S.A.H.	Date:	11-28-22	Scale:	NOT TO SCALE
2	REVISION DRAFT	05-20-24	SAH			Drawing Description:	EXTERIOR LAYOUT TYPE-II SPRINTER				
1	PRODUCTION DRAFT	11-28-22	SAH			Revision# :					
Rev. #	Revision Description	Date	Rev'd	App'vd							



NOTES: GRAY GLACE.

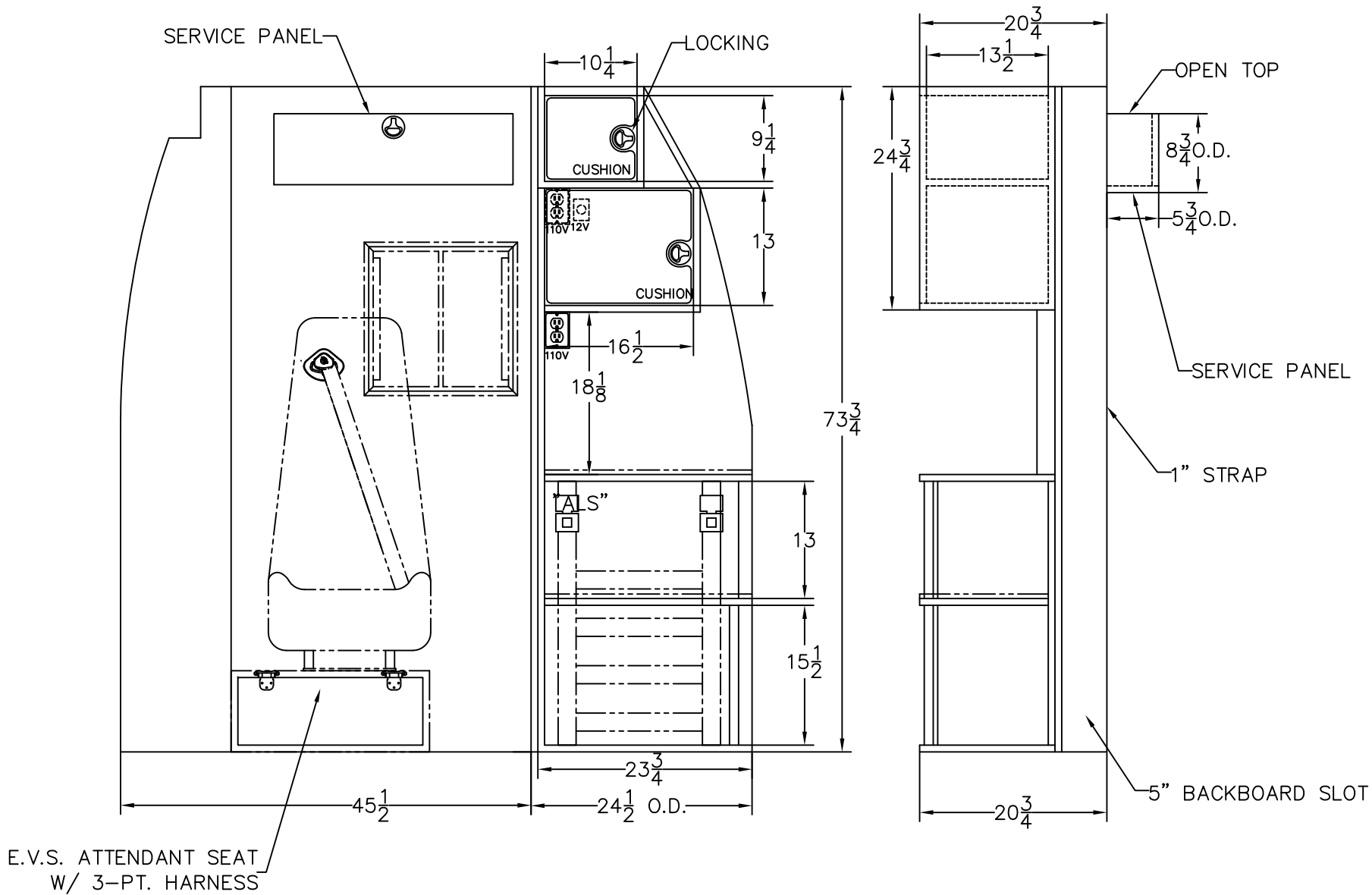
NOTES: THIS DRAWING IS NOT TO SCALE. CHARACTERISTICS AND DIMENSIONS OF FINISHED PRODUCT MAY VARY.

NOTES: CABINET DEPTHS REPRESENT DIMENSION FROM INSIDE REAR TO FRONT FACE OF CABINETS, WITHOUT TRIM. ACTUAL WORKING DEPTH WILL BE LESS THAN DIMENSION SHOWN UNLESS OTHERWISE SPECIFIED.

E.V.S. ATTENDANT SEAT
W/ 3-PT. HARNESS

Stock/Job#:	T380	Drawing# :	T380-101	Cust. App'v/Date :		Deal. App'v/Date :	
Dealer:	BULLDOG	Osage Industries, Inc. TWIN RIDGE ROAD P.O. BOX 718 LINN, MO. 65051					
End Customer:	DEMO						
NOTICE		Drawn By:	S.A.H.	Date:	11-28-22	Scale:	NOT TO SCALE
		Drawing Description:					Revision# :
		STREETSIDE INTERIOR TYPE-II SPRINTER					1
Rev. #	Revision Description	Date	Rev'd	App'vd	This drawing and/or the information hereon is the exclusive property of Osage Industries and shall not be reproduced, used or disclosed without the authorized written consent of Osage Industries.		

3				
2	REVISION DRAFT	05-20-24	SAH	
1	PRODUCTION DRAFT	11-28-22	SAH	
Rev. #	Revision Description	Date	Rev'd	App'vd



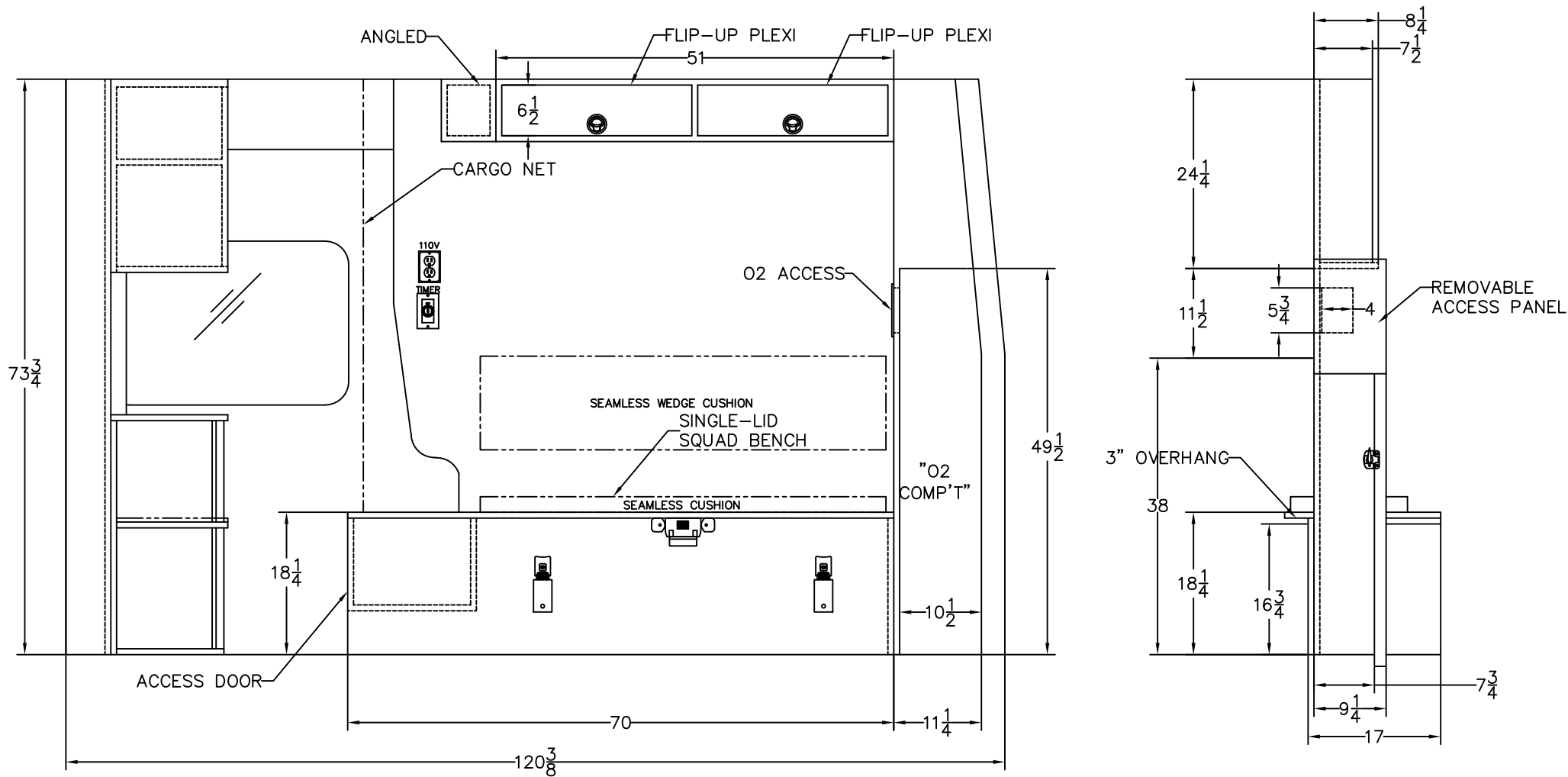
E.V.S. ATTENDANT SEAT
W/ 3-PT. HARNESS

NOTES: THIS DRAWING IS NOT TO SCALE.
CHARACTERISTICS AND DIMENSIONS OF FINISHED
PRODUCT MAY VARY.

Stock/Job#:	T380	Drawing# :	T380-102	Cust. App'v/Date :		Deal. App'v/Date :	
Dealer:	BULLDOG	Osage Industries, Inc. TWIN RIDGE ROAD P.O. BOX 718 LINN, MO. 65051					
End Customer:	DEMO						

NOTICE				Drawn By:	S.A.H.	Date:	11-28-22	Scale:	NOT TO SCALE	
This drawing and/or the information hereon is the exclusive property of Osage Industries and shall not be reproduced, used or disclosed without the authorized written consent of Osage Industries.				Drawing Description: FORWARD INTERIOR TYPE-II SPRINTER					Revision# :	1

Rev. #	Revision Description	Date	Rev'd	App'vd
3				
2	REVISION DRAFT	05-20-24	SAH	
1	PRODUCTION DRAFT	11-28-22	SAH	



NOTES: THIS DRAWING IS NOT TO SCALE.
CHARACTERISTICS AND DIMENSIONS OF FINISHED PRODUCT MAY VARY.

Stock/Job#:	7000/T380	Drawing# :	7000-103	Cust. App'v/Date :		Deal. App'v/Date :	
Dealer:	BULLDOG	Osage Industries, Inc. TWIN RIDGE ROAD P.O. BOX 718 LINN, MO. 65051					
End Customer:	DEMO						

3					NOTICE This drawing and/or the information hereon is the exclusive property of Osage Industries and shall not be reproduced, used or disclosed without the authorized written consent of Osage Industries.	Drawn By:	S.A.H.	Date:	11-28-22	Scale:	NOT TO SCALE
2	REVISION DRAFT	05-20-24	SAH			Drawing Description:	CURBSIDE INTERIOR TYPE-II SPRINTER				
1	PRODUCTION DRAFT	11-28-22	SAH			Revision# :					
Rev. #	Revision Description	Date	Rev'd	App'vd							

"STREETSIDE"

120 $\frac{3}{8}$

NOTES:

- 1.) STRYKER UNIVERSAL FLOOR PLATE ONLY.
- 2.) LON SPECK TOP SEAL, SX112 MAGNETIC GRAY.

69 $\frac{3}{8}$

70

3" OVERHANG

20 $\frac{3}{4}$

SEAMLESS CUSHION

17

24 $\frac{1}{2}$

"O2"

FLIP-UP PLEXI LIDS
TO SHARPS & TRASH

"CURBSIDE"

NOTES: THIS DRAWING IS NOT TO SCALE.
CHARACTERISTICS AND DIMENSIONS OF FINISHED PRODUCT MAY VARY.

Stock/Job#:	7000/T380	Drawing# :	7000-104	Cust. App'v/Date :		Deal. App'v/Date :	
Dealer:	BULLDOG	Osage Industries, Inc. TWIN RIDGE ROAD P.O. BOX 718 LINN, MO. 65051					
End Customer:	DEMO						
NOTICE		Drawn By:	S.A.H.	Date:	11-28-22	Scale:	NOT TO SCALE

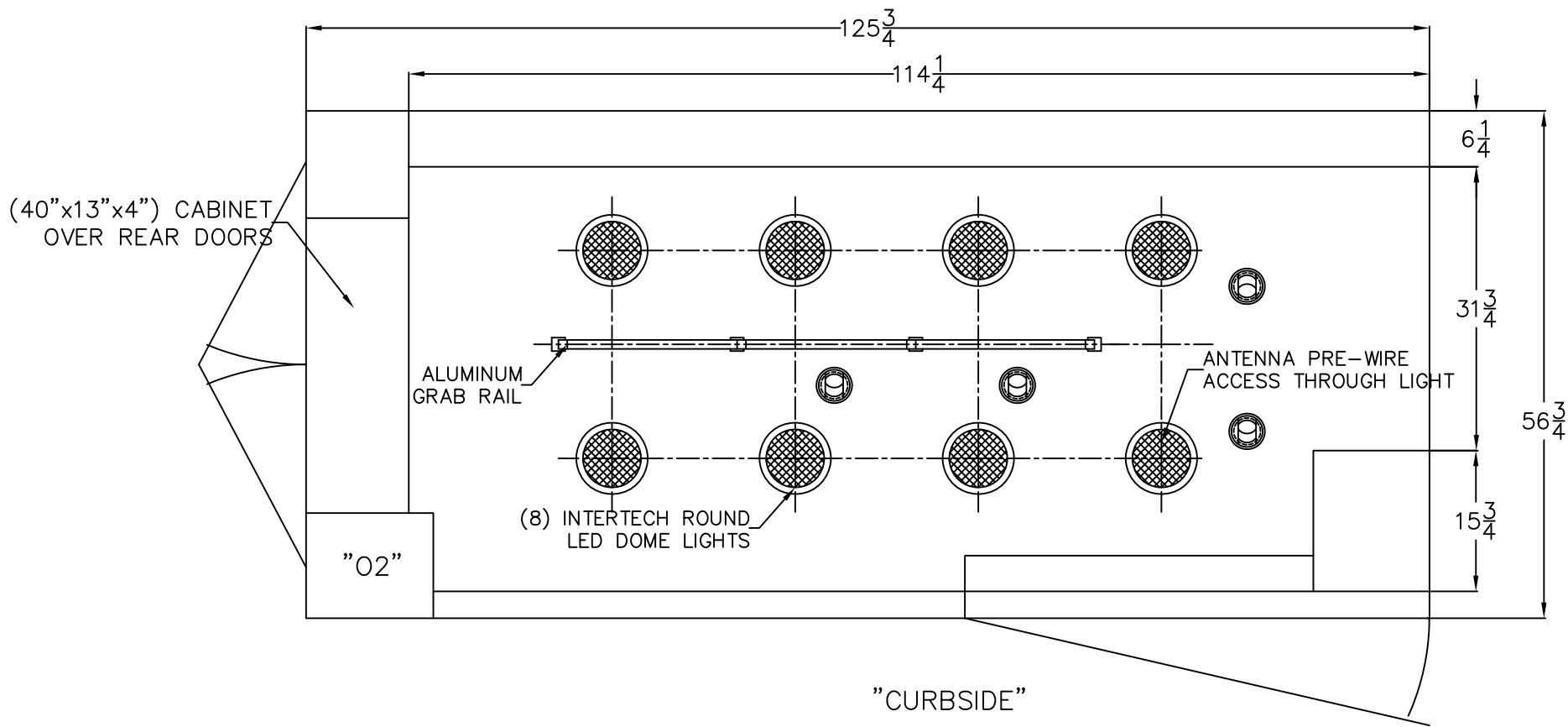
3				
2	REVISION DRAFT	05-20-24	SAH	
1	PRODUCTION DRAFT	11-28-22	SAH	
Rev. #	Revision Description	Date	Rev'd	App'vd

This drawing and/or the information hereon is the exclusive property of Osage Industries and shall not be reproduced, used or disclosed without the authorized written consent of Osage Industries.

Drawing Description:
FLOOR LAYOUT
TYPE-II SPRINTER

Revision# :
1

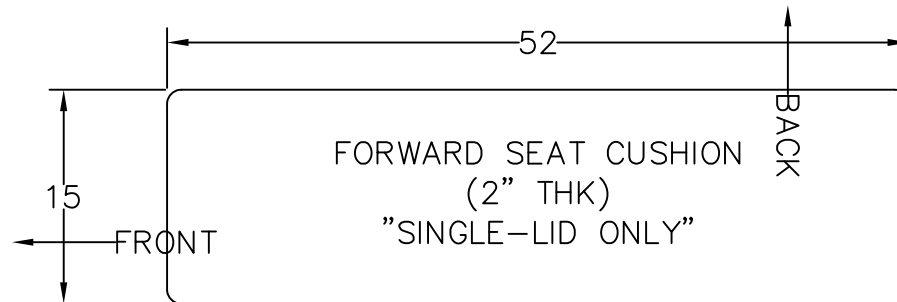
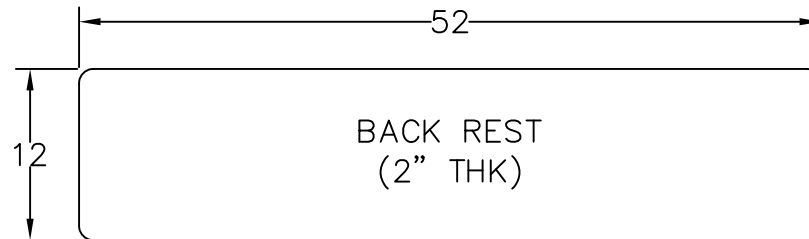
"STREETSIDE"



NOTES: THIS DRAWING IS NOT TO SCALE.
CHARACTERISTICS AND DIMENSIONS OF FINISHED PRODUCT MAY VARY.

Stock/Job#:	7000/T380	Drawing# :	7000-105	Cust. App'v/Date :		Deal. App'v/Date :	
Dealer:	BULLDOG	Osage Industries, Inc. TWIN RIDGE ROAD P.O. BOX 718 LINN, MO. 65051					
End Customer:	DEMO						

3					NOTICE This drawing and/or the information hereon is the exclusive property of Osage Industries and shall not be reproduced, used or disclosed without the authorized written consent of Osage Industries.	Drawn By:	S.A.H.	Date:	11-28-22	Scale:	NOT TO SCALE
2	REVISION DRAFT	05-20-24	SAH			Drawing Description:	CEILING LAYOUT TYPE-II SPRINTER				
1	PRODUCTION DRAFT	11-28-22	SAH			Revision# :					
Rev. #	Revision Description	Date	Rev'd	App'vd							



NOTES: DESERT ROSE VINYL.

NOTES: THIS DRAWING IS NOT TO SCALE.
CHARACTERISTICS AND DIMENSIONS OF FINISHED
PRODUCT MAY VARY.

Stock/Job#:	7000/T380	Drawing#	7000-106	Cust. App'v/Date#	Deal'r App'v/Date:
Osage Dealer:	BULLDOG	Osage Industries, Inc.			
End Customer:	DEMO				
		TWIN RIDGE ROAD	P.O. BOX 718	LINN, MO. 65051	

NOTICE				Drawn By:	S.A.H.	Date:	11-28-22	Scale:	NOT TO SCALE
This drawing and/or the information hereon is the exclusive property of Osage Industries and shall not be reproduced, used or disclosed without the authorized written consent of Osage Industries.				Drawing Description:					Revision#
				E.V.S. SEAMLESS CUSHIONS SQUAD BENCH, SPRINTER					1

3				
2	REVISION DRAFT	05-20-24	SAH	
1	PRODUCTION DRAFT	11-28-22	SAH	.
Rev.#	Revision Description	Date	Rev'd	App'vd