

CPQ quote: QUO0000001895 Rev: 7

Date & revision: 2022-05-30 rev.3

General exterior	page 2
Curbside exterior	page 3
Streetside exterior	page 4
Front & rear exterior	page 5
Curbside interior wall	page 6
Streetside interior wall	page 7
Front interior wall	page 8
Rear interior wall	page 9
Floor view	page 10
Ceiling view	page 11
Front console	page 12
Rear consoles	page 13
Floor console details	page 14

DISCLAIMERS

Demers makes every effort to maintain the accuracy and quality of the information provided in these drawings. However, Demers cannot guarantee and assumes no legal liability or responsibility for the accuracy or completeness of the information provided. The information contained in these drawings is for general guidance only. You should always develop your quote and send to Demers for engineering validation to the feasibility of the custom options according to the specific configuration required by the customer.

Should there be any discrepancies between the CPQ configurator, the CPQ quote or sale sheet and these drawings; the CPQ configurator, the CPQ quote or sale sheet will take precedence. These drawings are subject to change by engineering during the construction process of the vehicle. Dimensional data for information only. The copyright of all content in these drawings is owned by Demers and/or the various manufacturers of our equipment. These drawings in part or whole cannot be changed, reproduced, stored in or transmitted onto any website or social media without the prior written consent from Demers.

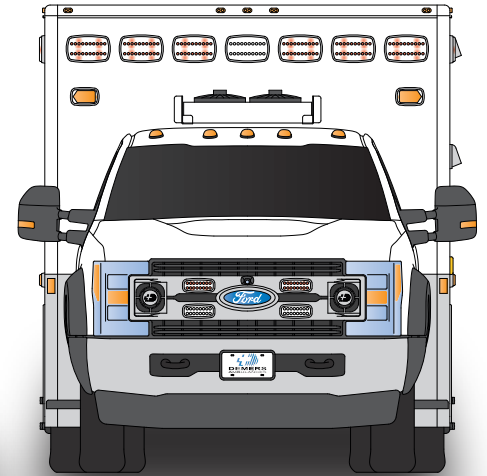
MXP170E - Ford F450

South Kingstown Emergency Medical Services, RI



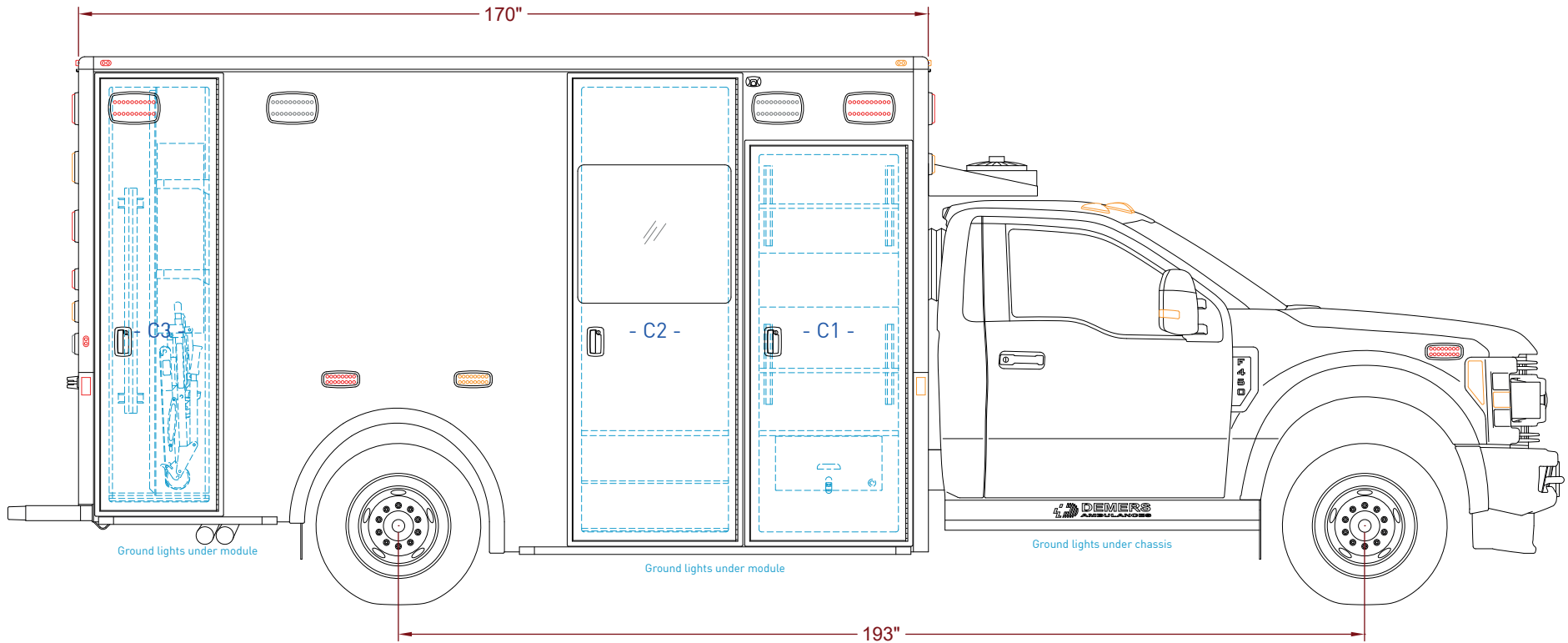
General exterior

Date: 2022-05-30 rev.3
Scale: 1:45
Draftman: TT



Curbside exterior

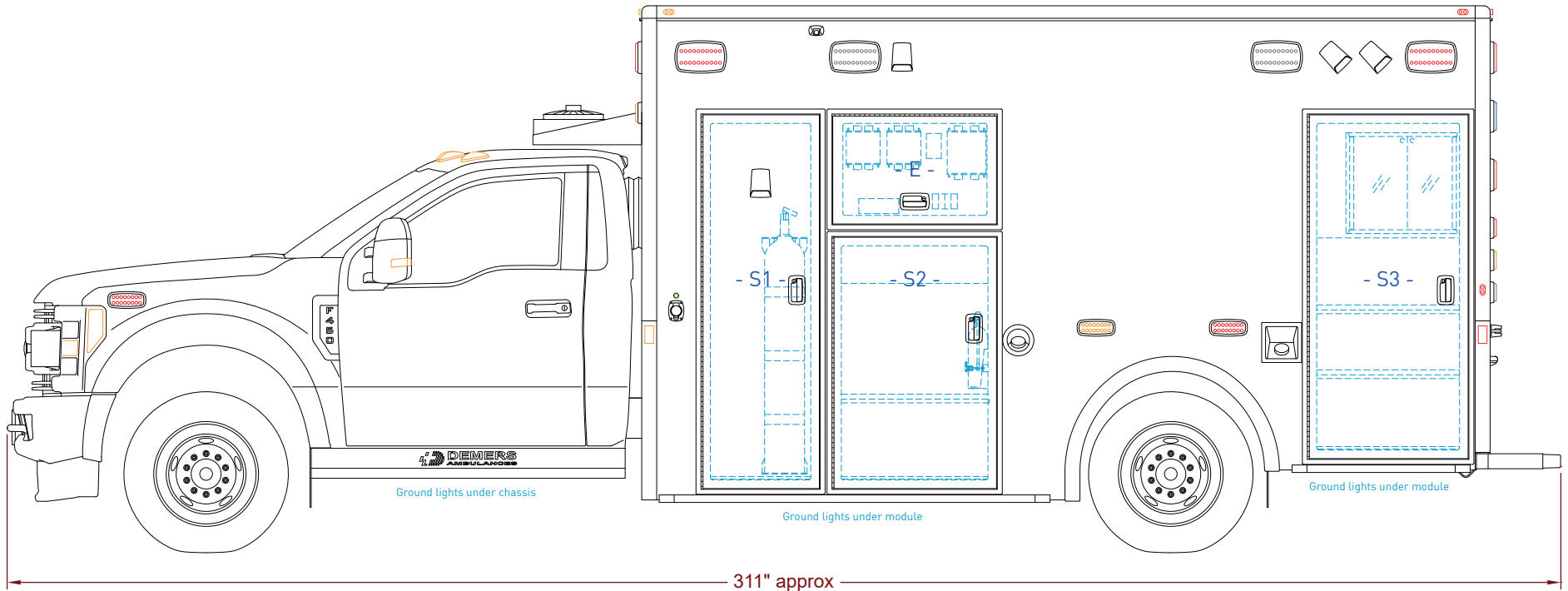
Date: 2022-05-30 rev.3
 Scale: 1:30
 Draftman: TT



Compartment	Opening L x H	Interior dimensions L x H x D
C1	27.75" x 55.75"	30.25" x 57.25" x 32.00"
C2	29.25" x 88.75"	-
C3	20.00" x 82.75"	20.75" x 84.25" x 18.50"

Streetside exterior

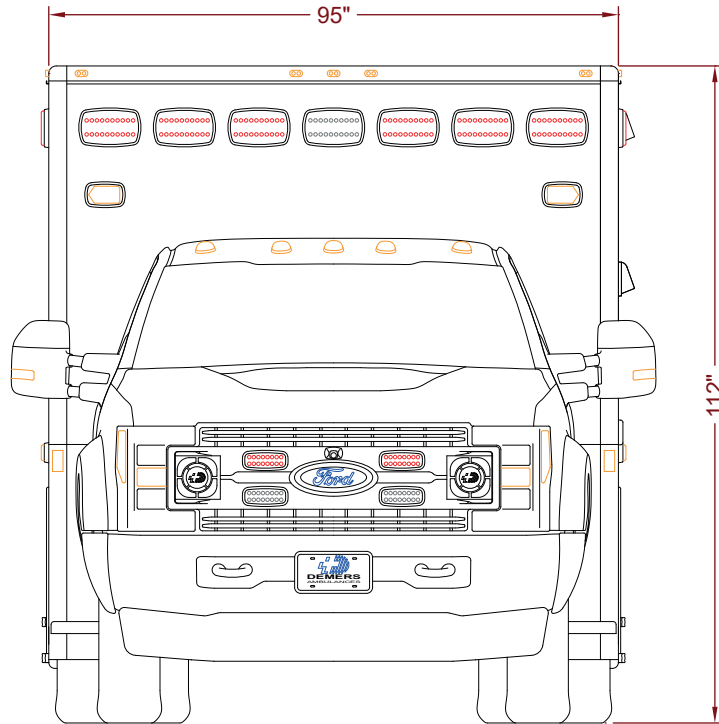
Date: 2022-05-30 rev.3
 Scale: 1:30
 Draftman: TT



Compartment	Opening L x H	Interior dimensions L x H x D
S1	20.25" x 71.50"	23.75" x 79.50" x 18.00"
S2	29.25" x 47.00"	32.25" x 47.25" x 13.50"
S3	28.50" x 65.50"	33.25" x 42.00" x 17.50"
E	29.25" x 18.50"	-

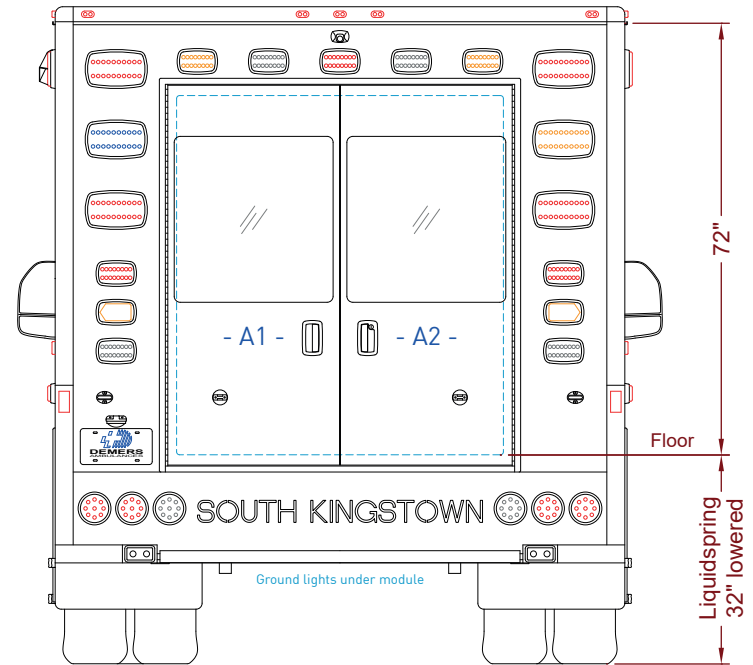
Front & rear exterior

Date: 2022-05-30 rev.3
 Scale: 1:30
 Draftman: TT



Note

The total height of the vehicle can be different according to chassis and suspensions



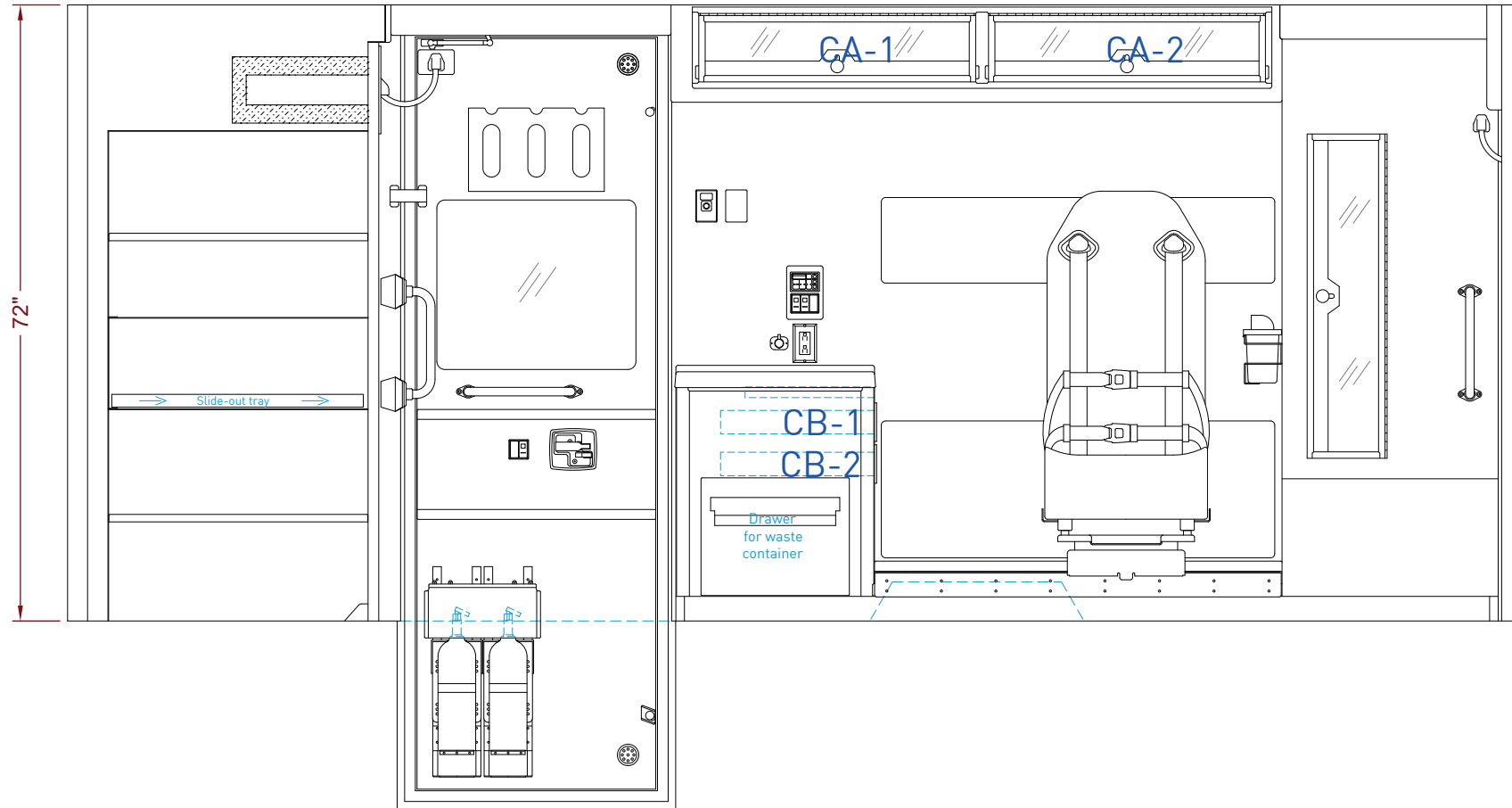
Note

The rear loading height of the vehicle can be different according to chassis and suspensions

Compartment	Opening L x H	Interior dimensions L x H x D
A1 & A2	54.50" x 59.75"	-

Curbside interior wall

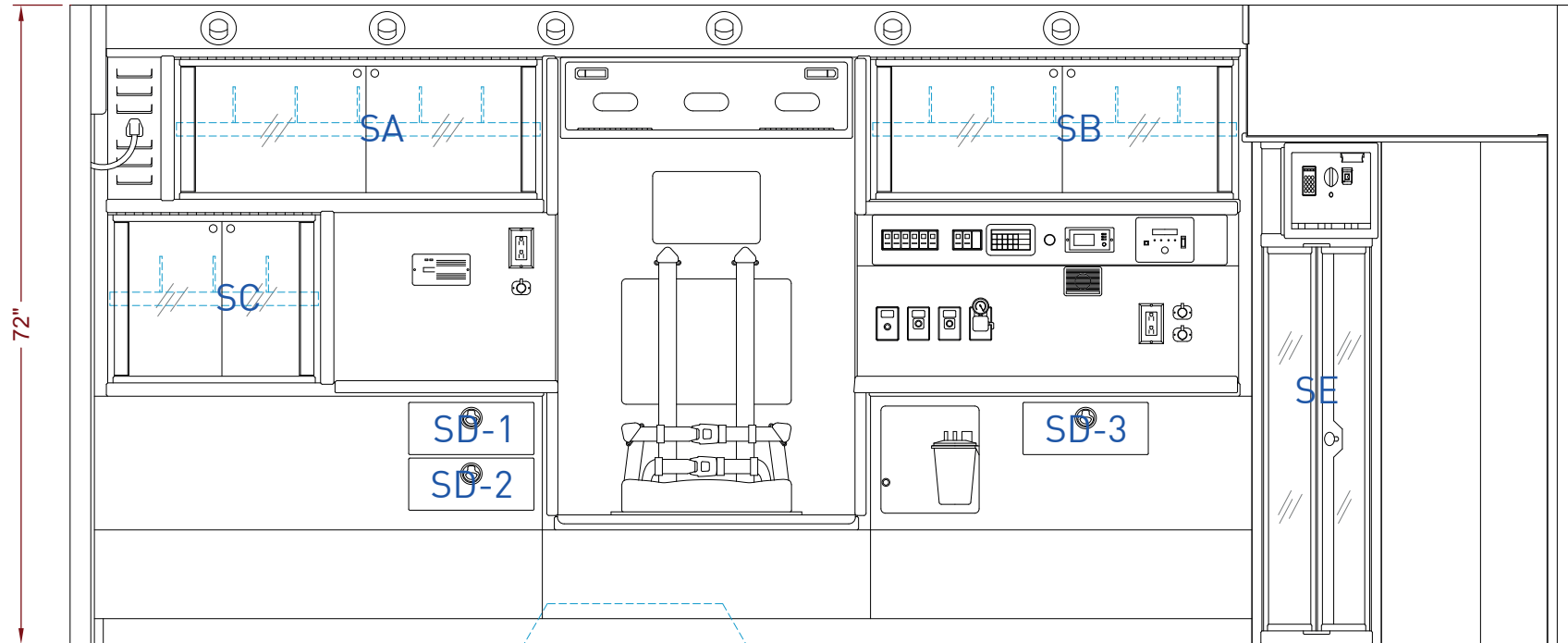
Date: 2022-05-30 rev.3
 Scale: 1:20
 Draftman: TT



Compartment	Opening L x H	Interior dimensions L x H x D
Storage cabinet -CA-	32.25" x 8.00"	33.50" x 9.50" x 8.50"
Storage cabinet -CB-	-	12.00" x 2.50" x 18.00"

Streetside interior wall

Date: 2022-05-30 rev.3
 Scale: 1:20
 Draftman: TT

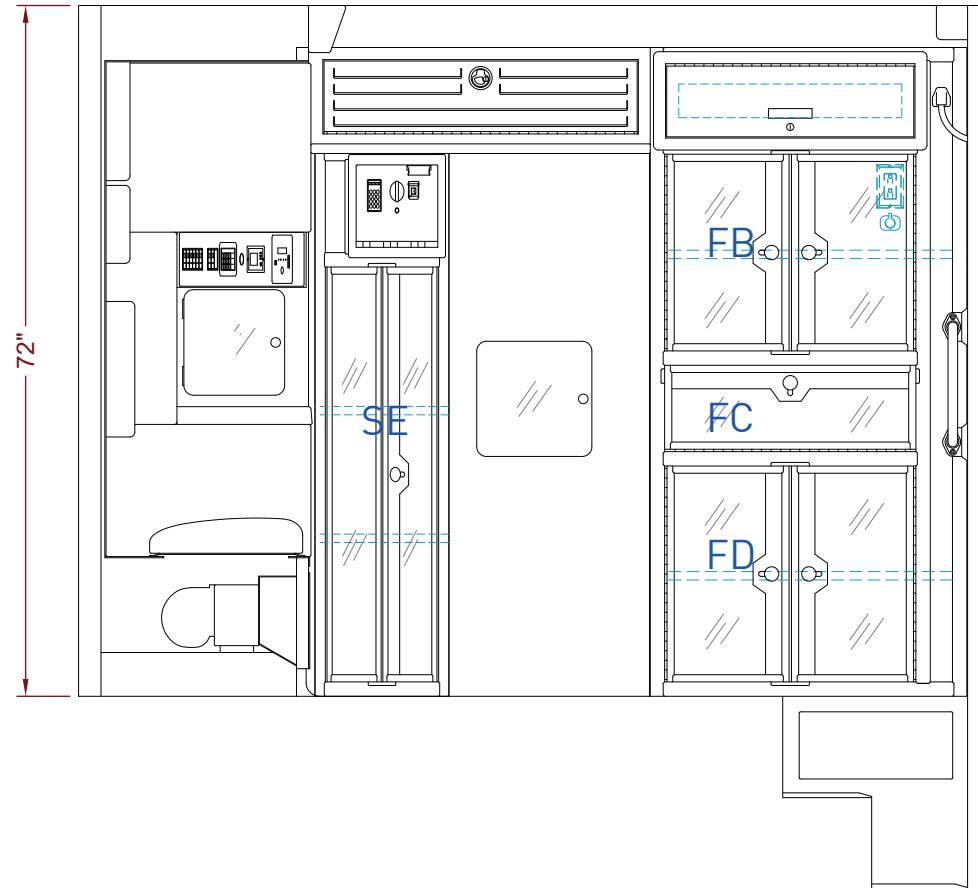


Compartment	Opening L x H	Interior dimensions L x H x D
Storage cabinet -SA-	41.50" x 16.00"	42.50" x 16.75" x 16.00"
Storage cabinet -SB-	41.50" x 16.00"	41.75" x 16.25" x 11.00"
Storage cabinet -SC-	24.00" x 19.25"	25.00" x 20.25" x 16.00"
Storage drawer -SD-	-	12.00" x 4.50" x 12.50"
Storage cabinet -SE-	16.50" x 43.25"	*25.50" x 46.25" x *15.75"

* This dimension is the maximum

Front interior wall

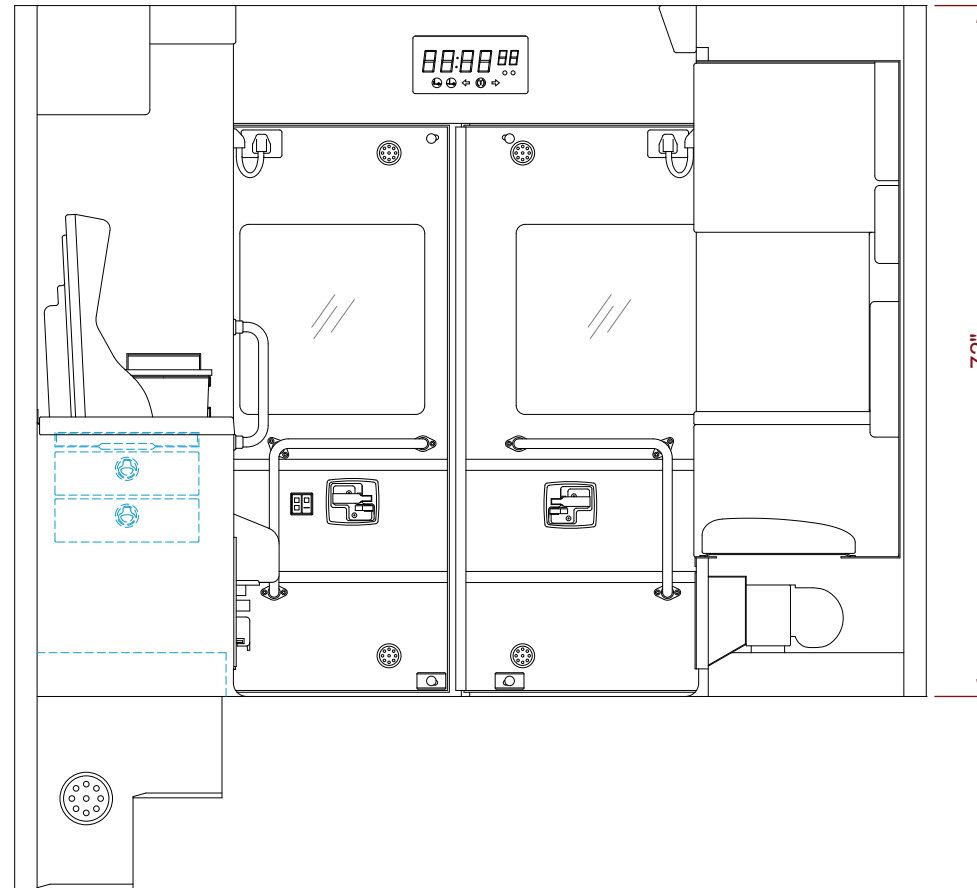
Date: 2022-05-30 rev.3
 Scale: 1:20
 Draftman: TT



Compartment	Opening L x H	Interior dimensions L x H x D
High ALS comp. -FB-	26.00" x 24.75"	32.00" x 26.00" x 30.25"
Mid ALS comp. -FC-	26.00" x 9.00"	32.00" x 10.50" x 30.25"
Low ALS comp. -FD-	26.00" x 26.75"	32.00" x 29.25" x 30.25"

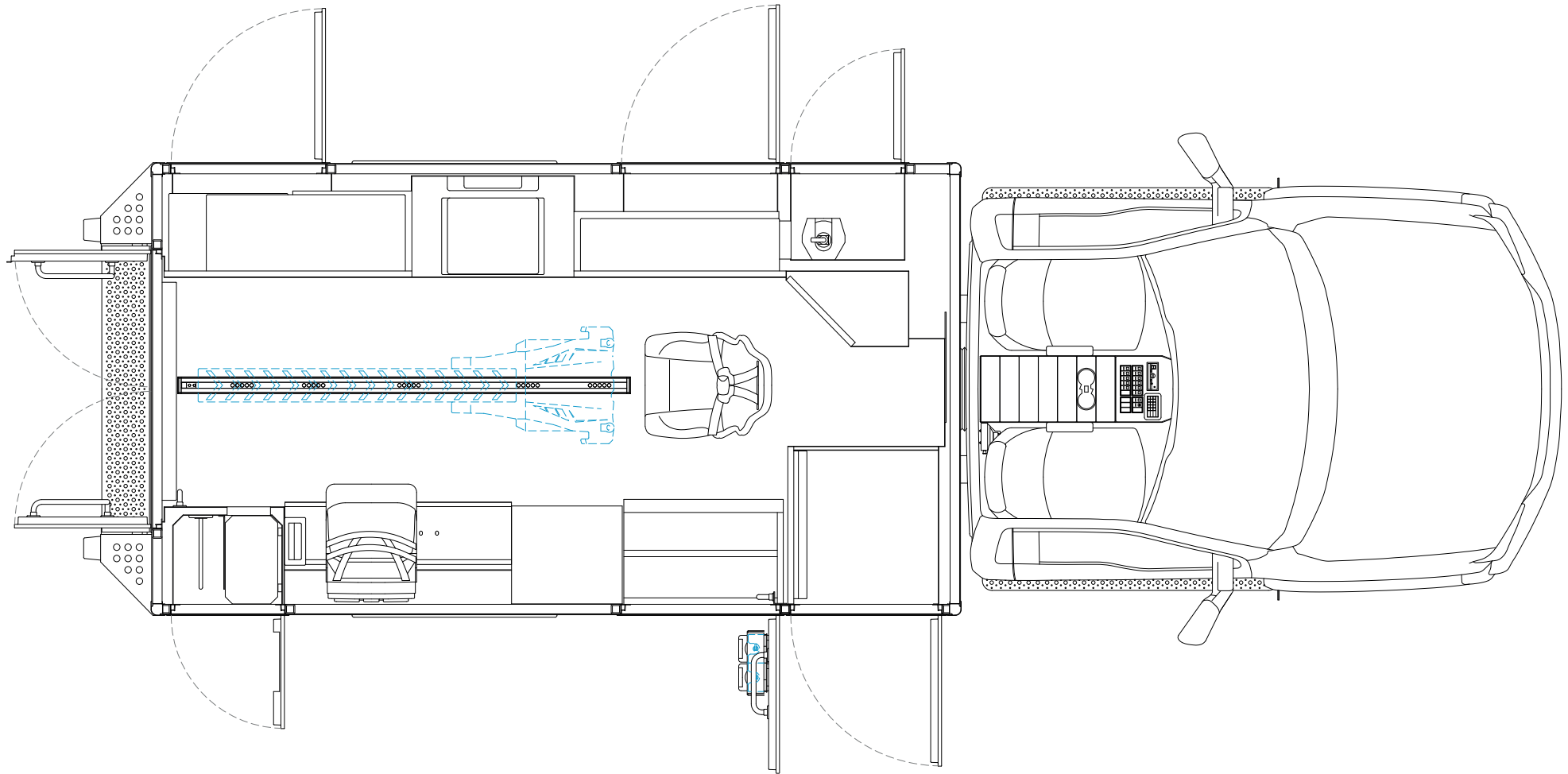
Rear interior wall

Date: 2022-05-30 rev.3
Scale: 1:20
Draftman: TT



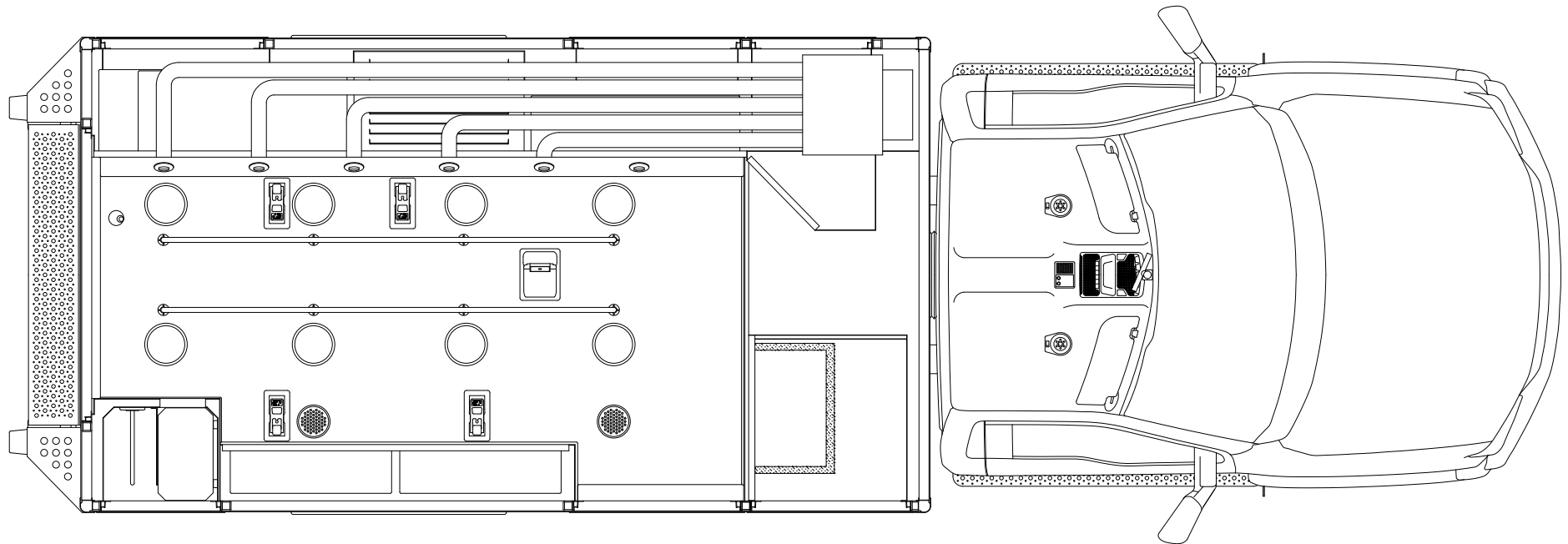
Floor view

Date: 2022-05-30 rev.3
Scale: 1:30
Draftman: TT



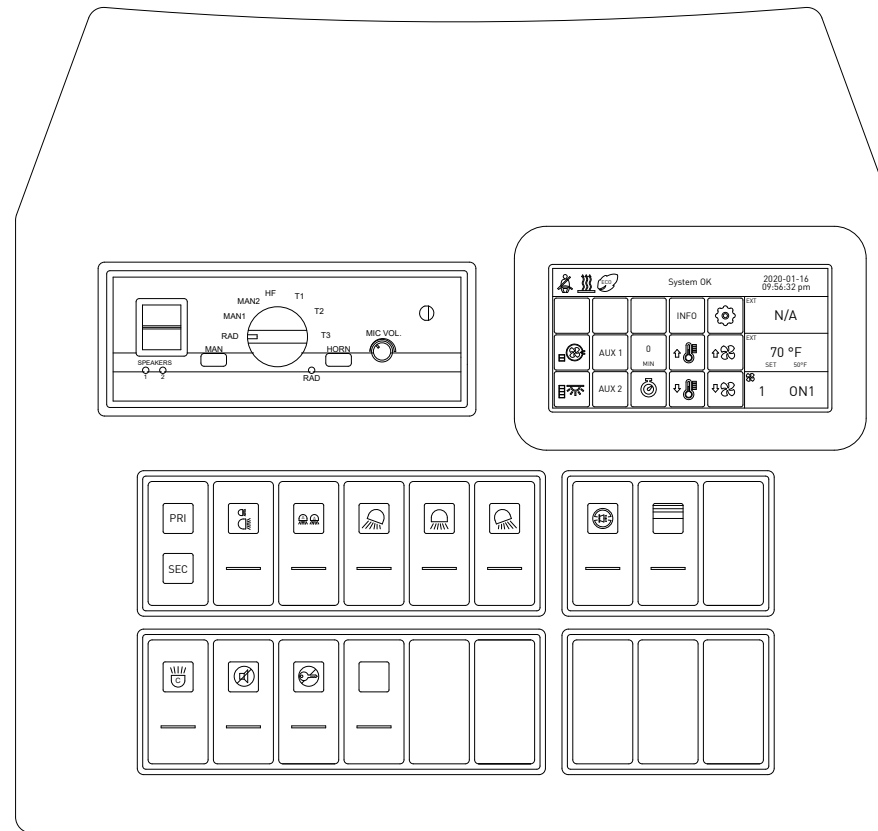
Ceiling view

Date: 2022-05-30 rev.3
Scale: 1:30
Draftman: TT

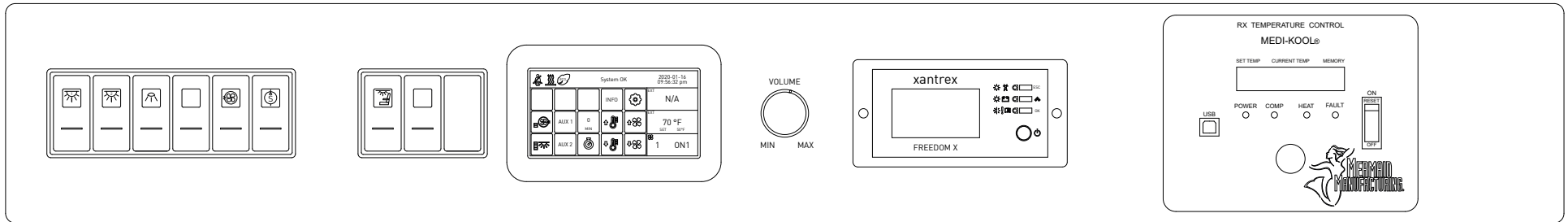


Front console

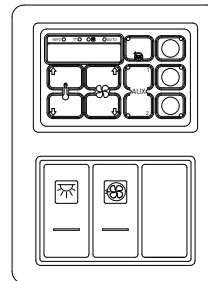
Date: 2022-05-30 rev.3
Scale: 1:3
Draftman: TT



Streetside console



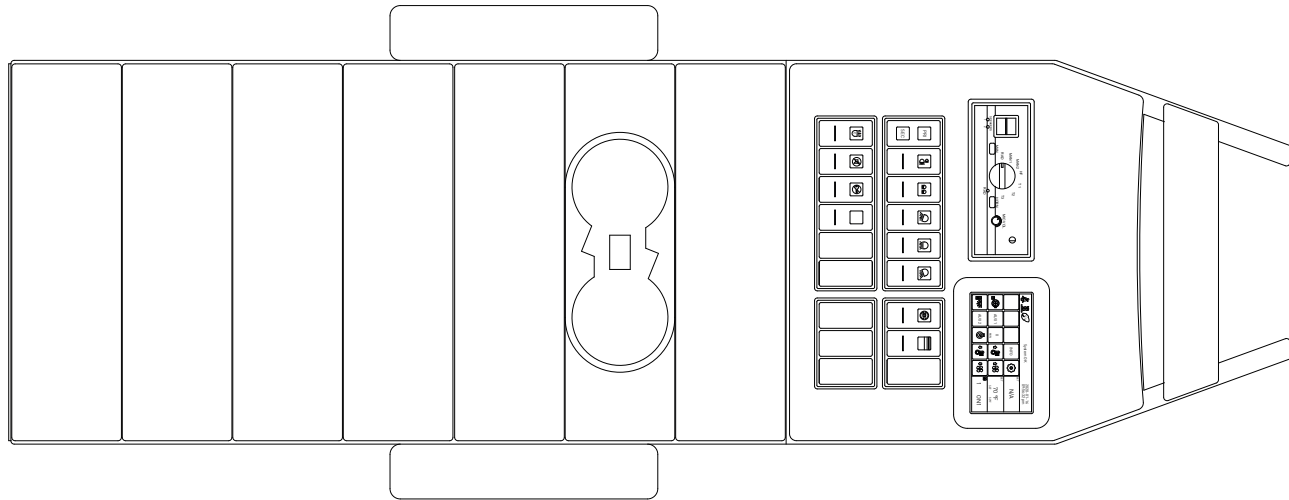
Curbside console



Floor console details

Date: 2022-05-30 rev.3
Scale: 1:7
Draftman: TT

Top view



Side view

