



FOUTS FIRE 3000 TANKER



A TRUSTED WORKHORSE, DELIVERED FAST AT A GREAT VALUE.

For more than 65 years, Fouts Bros has been delivering trucks. Thirty years ago, Fouts Fire began producing fire trucks with the 3000 gallon commercial tanker as our first apparatus. You can rely on our decades of experience in engineering and production to deliver a better built truck, for less cost, designed to meet your specific needs.

DEPENDABLE

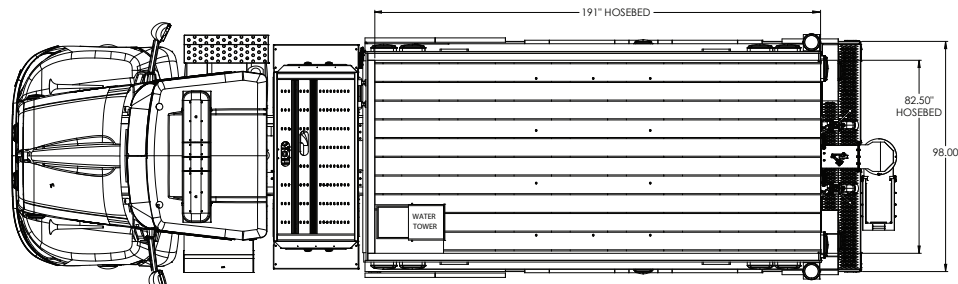
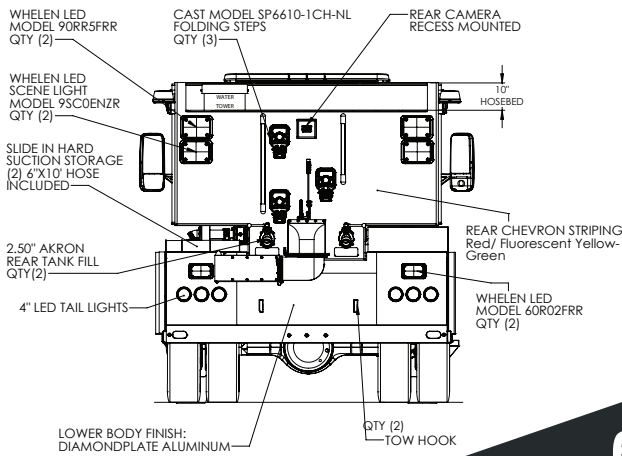
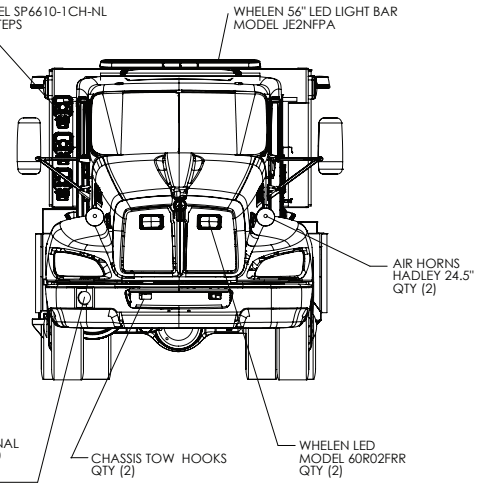
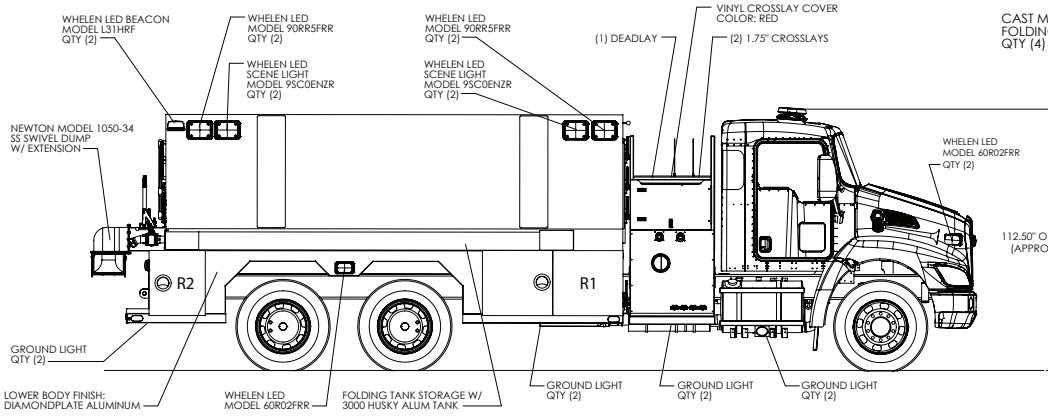
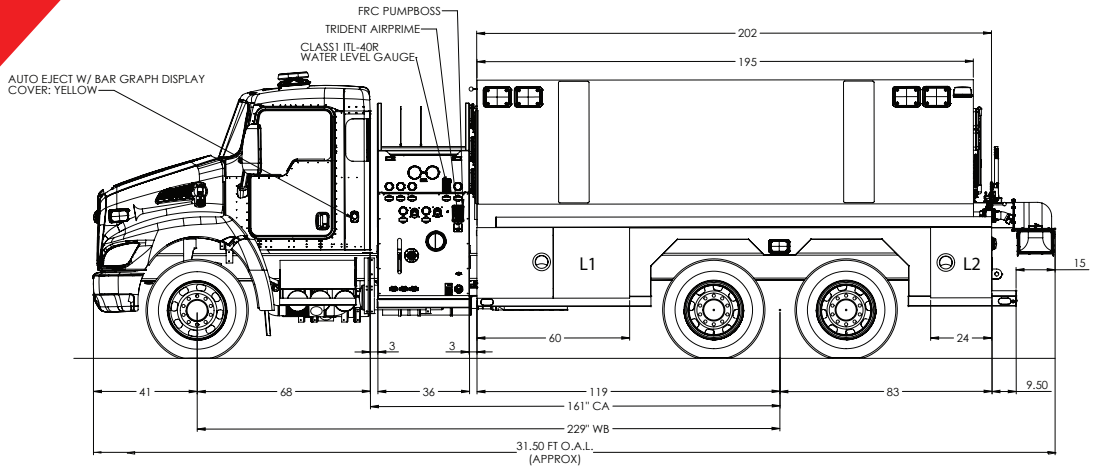
Our tanker provides easy access to the standard 3000-gallon tank, allowing you to carry more water to the scene. Our rugged design delivers ease of operation, training and maintenance.

VERSATILE

The Fouts Fire 3000 tanker can be made into a pumper tanker for a better ISO rating, along with swivel dump valve, adding points to your ISO rating. This versatility allows us to build a 3000 gal tanker, a 2000 gal and 4000 gal super tanker.

EXPERIENCE

We've listened to you for over three decades and learning what options are most important. Today, we continue to offer a time-tested library of options to give you the best apparatus for your needs.



FOUTS FIRE 3000 TANKER

A TRUSTED WORKHORSE

✓ Hale MBP 1000

✓ Back-Up Camera System

✓ Swivel Dump Valve

✓ 4 Standard Compartments

✓ KW Tandem 380 HP Chassis

✓ Whelen Lighting Package

QUICK DELIVERY OF THIS UNIT IS AVAILABLE